



Technical Support Bulletin

Middle Atlantic Products, Inc.

an ISO 9001:2000 Registered Company

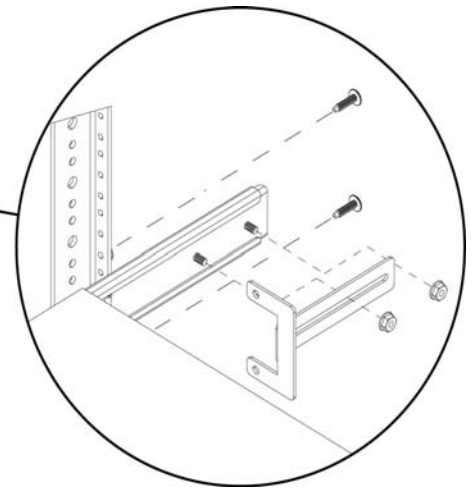
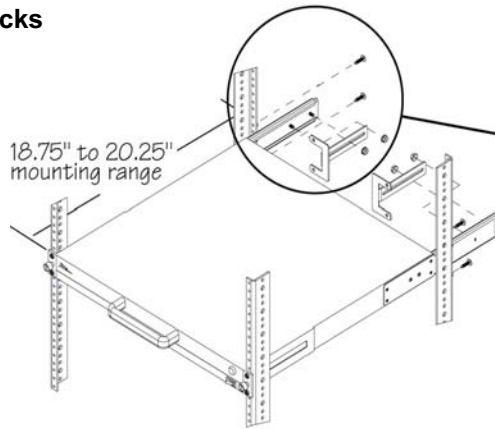
TITLE: RM-KB-LCD Mounting Brackets

PRODUCT SERIES: RM-KB-LCD

SPECIFIC MODELS: RM-KD-LCD15,
RM-KB-LCD17

PURPOSE: RM-KB-LCD can be mounted to 26" deep and deeper DWR and SR wall racks

Mounting brackets have been added to the Rackmount Keyboard and LCD for DWR and SR wall racks with a range of 18.75" to 20.25" between rackrail, including the 26" deep DWR wall rack. These brackets are included at no additional charge and are pictured here.



Product dated prior to 1/24/2006 included only the mounting brackets for enclosures with 23.50" to 26.25" between front and rear rackrail.

Customers whose models did not include the additional brackets may obtain them free of charge by contacting Customer Support at 800-266-7225. The part number for the bracket is 800-00042.

