



## Middle Atlantic Products, Inc.

an ISO 9001:2000 Registered Company

Title: DWR and EWR Series Useable Depth

PRODUCT SERIES: DWR / EWR

SPECIFIC MODELS: All

PURPOSE: To clarify information regarding useable depth

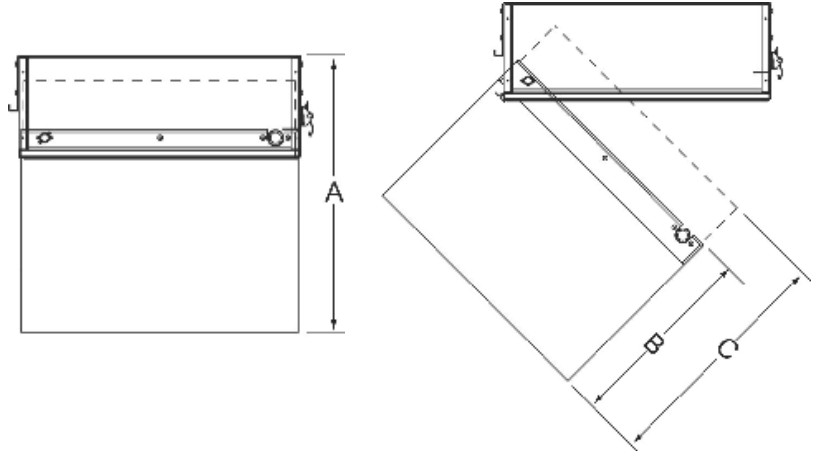
Although information in our catalog and A&E spec sheet is correct, some customers have requested clarification as to the useable depth of our DWR and EWR Series Wall Cabinets.

Wall Cabinets come in the following overall depths: 17.3" (439mm), 22.3" (567mm), 26.3" (668mm).

The useable depth – in this case, the amount of space a component may fill while still allowing the unit to open and close – is 15.0" (381mm), 20.0" (508mm), and 24.0" (610mm) respectively.

This is an unconventional design with an inboard pivot that provides better strength than side pivot designs and gives a greater useable depth than the dimension of the center section.

A customer who will run large amounts of cables, connectors, and/or conduit through the backpan may require a cabinet with a useable depth greater than the customer's largest components.



Middle Atlantic Products Model #	A Overall Depth	B Center Section Depth	C Useable Depth
DWR-XX-17/EWR-XX-17	17.3 [439]	11.5 [292]	15.0 [381]
DWR-XX-22/EWR-XX-22	22.3 [567]	16.5 [419]	20.0 [508]
DWR-XX-26	26.3 [668]	20.5 [521]	24.0 [610]

All dimensions in inches [Bracketed dimensions are in millimeters]